

LOCKSTATE®

LS-WS1415 OPERATING INSTRUCTIONS

CAUTION: Do not keep the keys in the safe. Store in another secure location.

1. OPENING THE SAFE

To open the safe for the first time, remove the small plastic cover “B” (see diagram 1) on the front panel. Insert the key into the key hole and turn it counter-clockwise. At the same time, turn the doorknob “A” (see diagram 1) clockwise to open the safe.

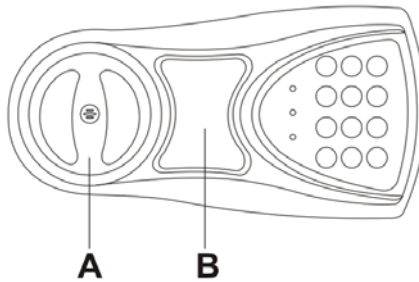


Diagram 1

2. INSTALLING THE BATTERIES

The safe requires 4xsize “AA” (1.5V) batteries.

To install batteries, open the safe, remove the battery cover plate “D” (see diagram 2) on the back of the door. Ensure the batteries are aligned with the correct polarity. Use of alkaline batteries is recommended.

3. PROGRAMMING THE CODE

- A. With the safe door open, press the red button “C” (see diagram 2) on the back of the door near the hinge. Release it and you will hear two beeps. The yellow light near the keypad should illuminate.
- B. Now enter a 3 to 8 digit code that you wish to use as a combination and confirm by pressing the letter “A” or “B” within 15 seconds. The safe will “beep” twice and the yellow light will turn off. Your personal code is now set.
- C. Write down your new combination immediately and test your new combination.

4. USING YOUR SAFE

To open the safe, enter your personal code followed by the letter “A” or “B”. You will hear a beep and the green light will turn on. Then turn the doorknob clockwise to open the door within 5 seconds.

If the incorrect combination is used 3 times consecutively, you must wait for 20 seconds before reattempting.

If again the incorrect combination is entered 3 times, you must wait approximately 5 minutes before reattempting access.

5. BATTERY REPLACEMENT WARNING

If the batteries are low, the red light (in the middle of the number panel) will warn you immediately after entering your personal code. To test the batteries, input your personal code to open the door. If the batteries are low, the red light will appear. Replace batteries as soon as possible.

Note: You must reprogram your code using step 3 above after batteries are replaced.

6. OVERRIDE INSTRUCTIONS TO OPEN THE SAFE

For your convenience, we have engineered a manual override system for your safe. If you forget or misplace your combination, remove the small central plate on the front panel "B" (see in diagram 1). Insert the key into the keyhole and turn it in a counter-clockwise direction and then turn the knob "A" (see in diagram 1) clockwise towards the right. This will manually open your safe at any time.

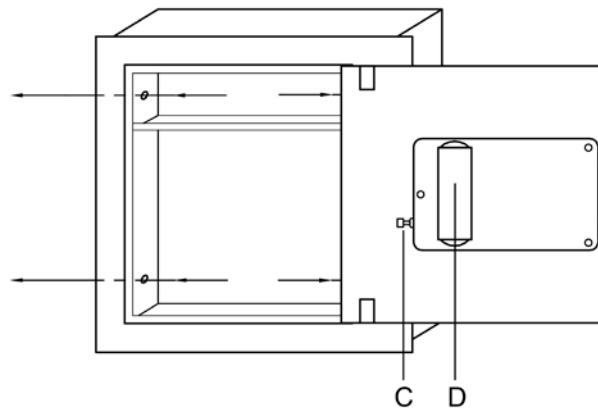


Diagram 2